

RAMP KIT SYSTEM GENERAL INFORMATION

The KITS are easy to assemble
and easy to adjust in height



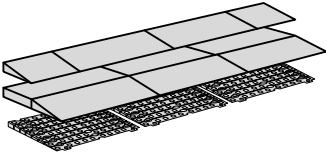
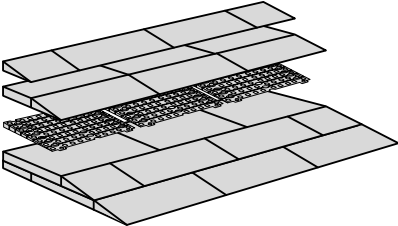
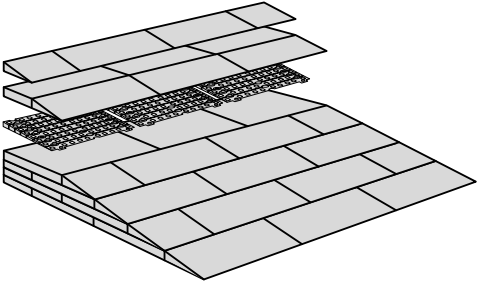
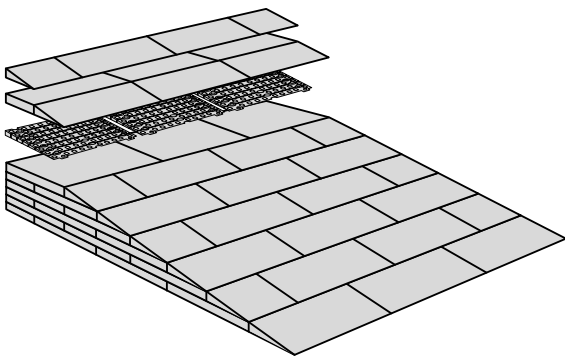
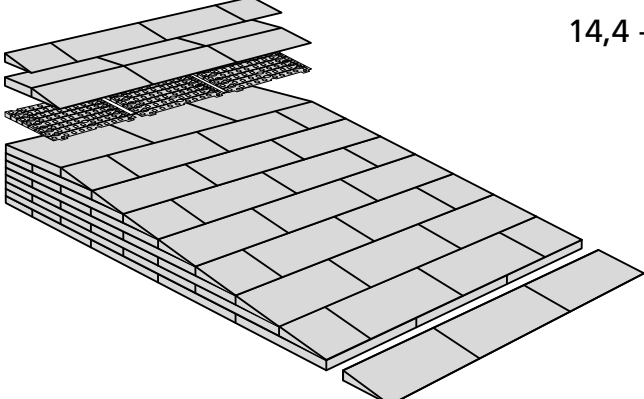
KIT 1

KIT 2

KIT 3

KIT 4

KIT 5

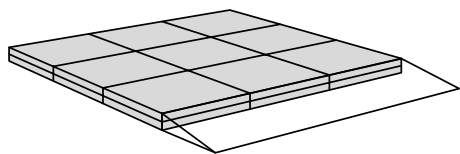
	Height:	Width: 75 cm	Width: 100 cm
	1,8 - 5,5 cm	KIT 001	KIT 101
	3,6 - 9,1 cm	KIT 002	KIT 102
	7,2 - 12,7 cm	KIT 003	KIT 103
	10,8 - 16,3 cm	KIT 004	KIT 104
	14,4 - 19,9 cm	KIT 005	KIT 105

RAMP KIT PLATFORM

Height:

**Width: 75 cm
Depth: 75 cm**

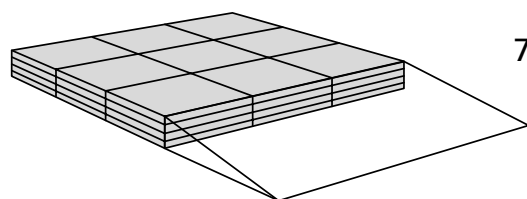
**Width: 100 cm
Depth: 75 cm**



3,6 - 5,2 cm

KIT 001 Platform

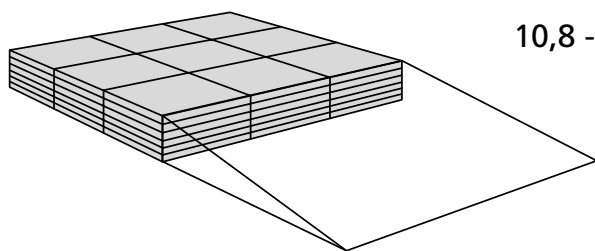
KIT 101 Platform



7,2 - 8,8 cm

KIT 002 Platform

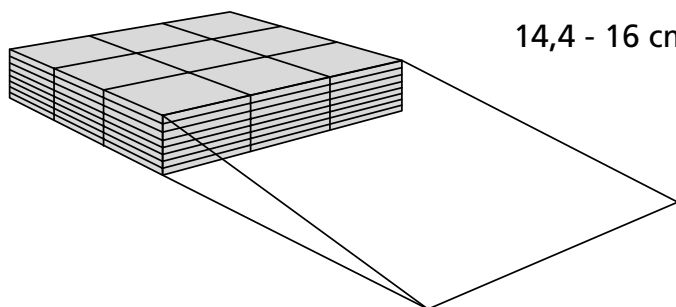
KIT 102 Platform



10,8 - 12,4 cm

KIT 003 Platform

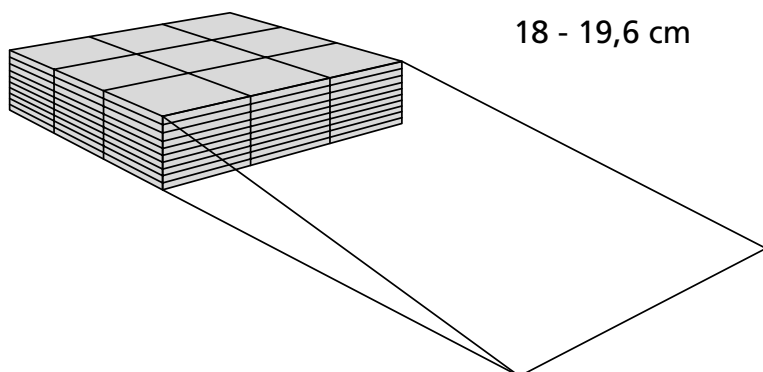
KIT 103 Platform



14,4 - 16 cm

KIT 004 Platform

KIT 104 Platform



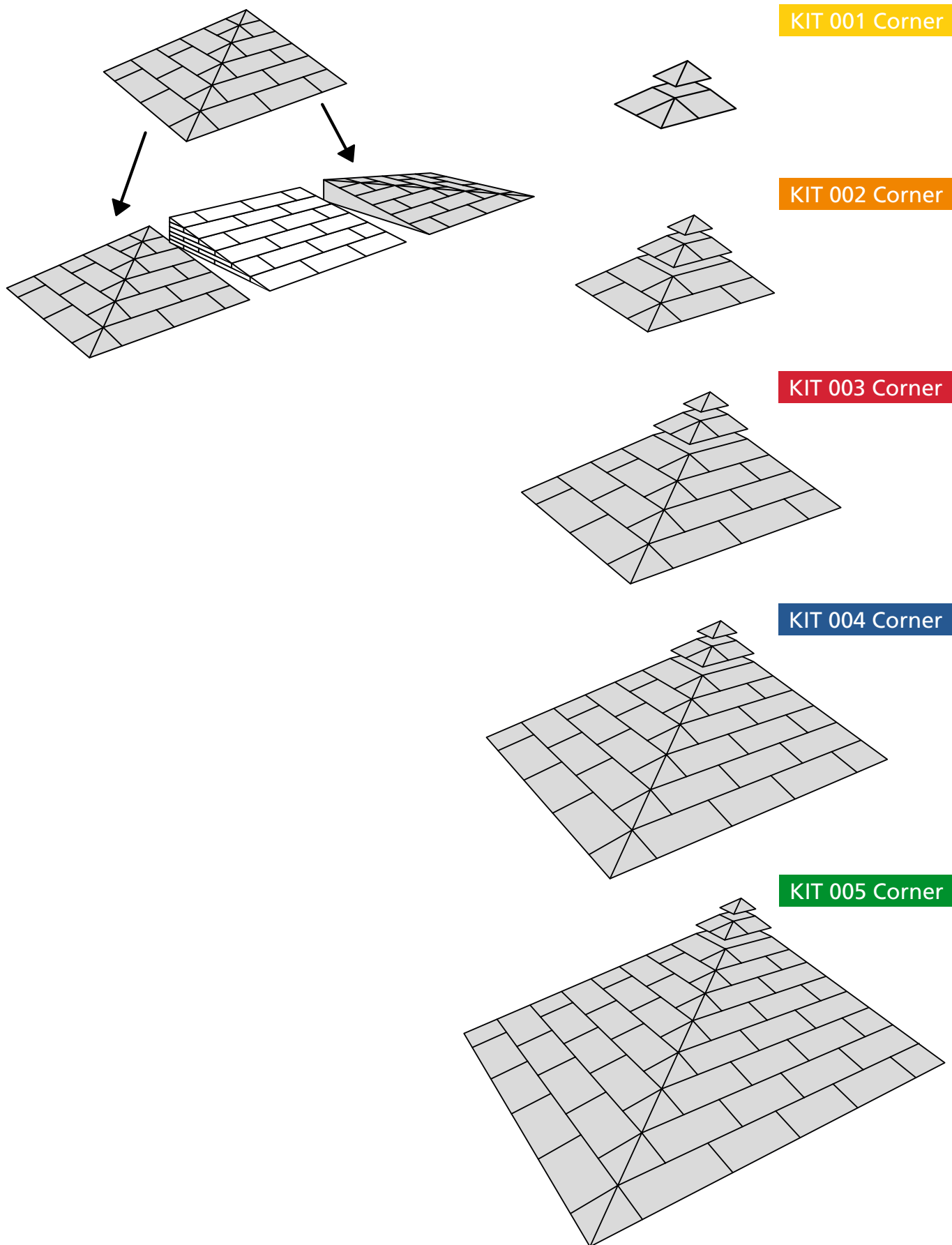
18 - 19,6 cm

KIT 005 Platform

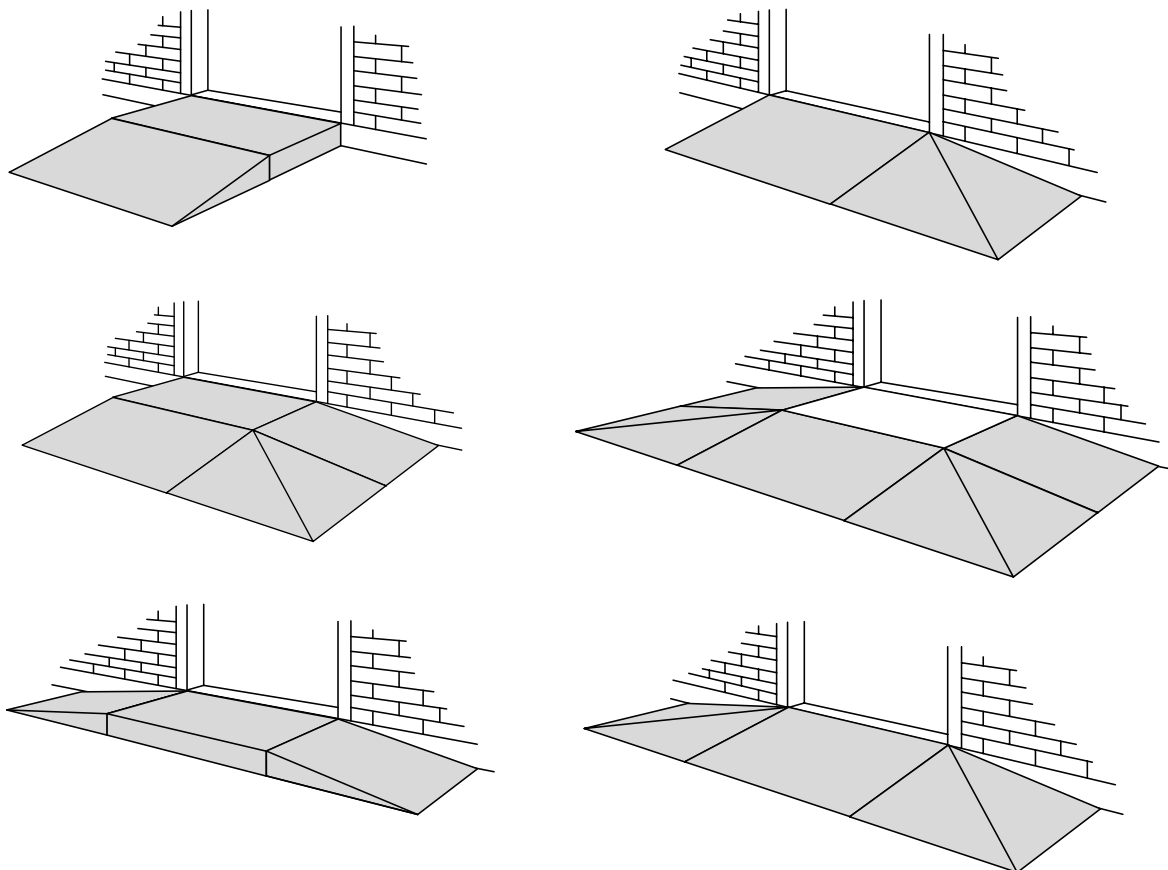
KIT 105 Platform

RAMP KIT CORNER

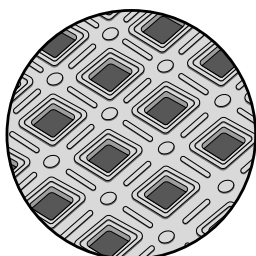
The corners fits both left and right side of the KITs:



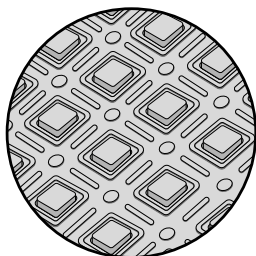
INSPIRATION



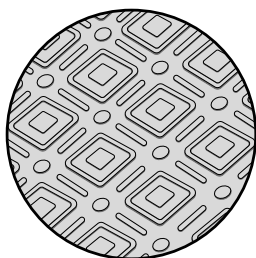
SURFACES



Surface	Use	Products available
With holes	Indoor	KIT Platform Corner



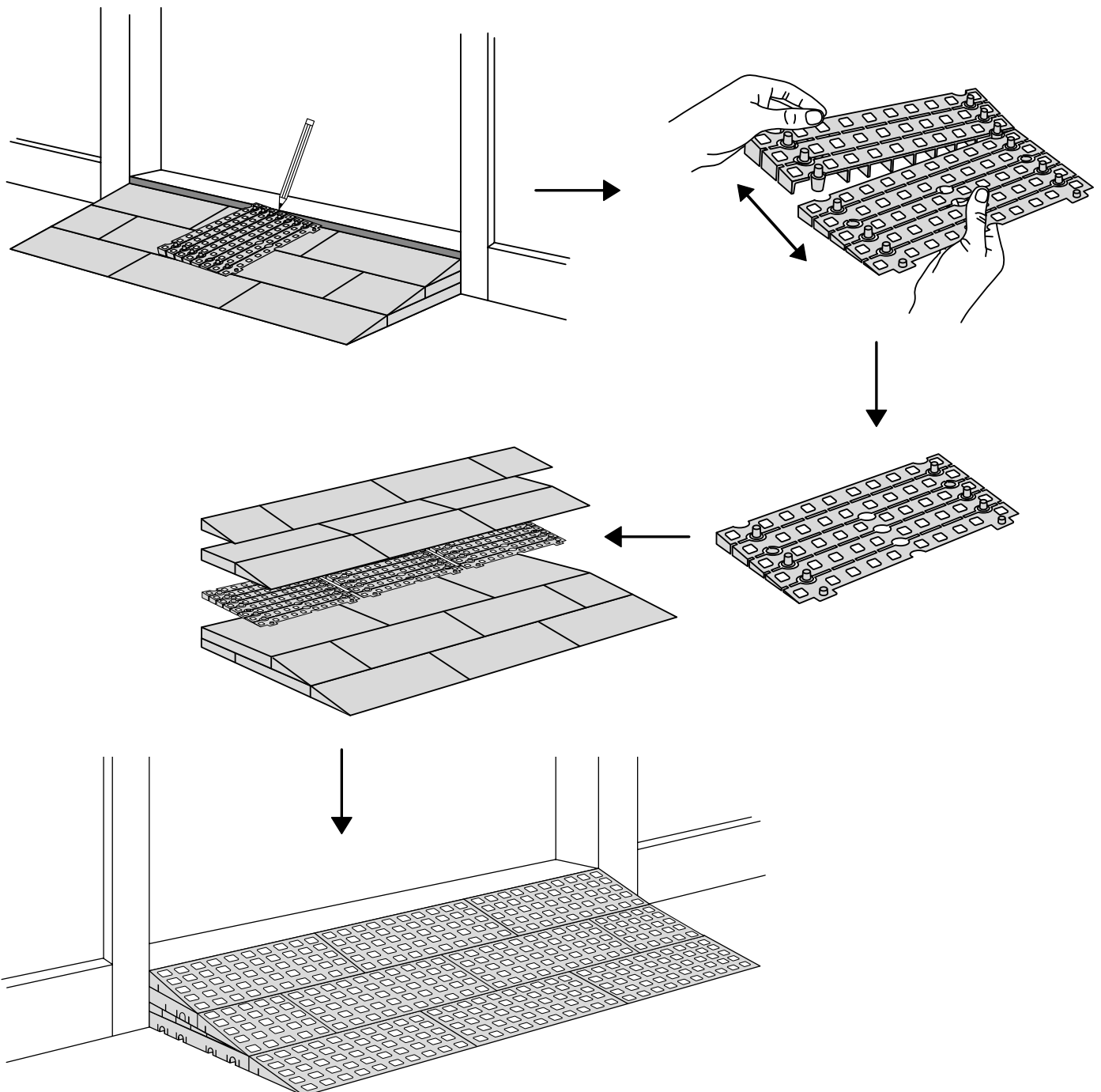
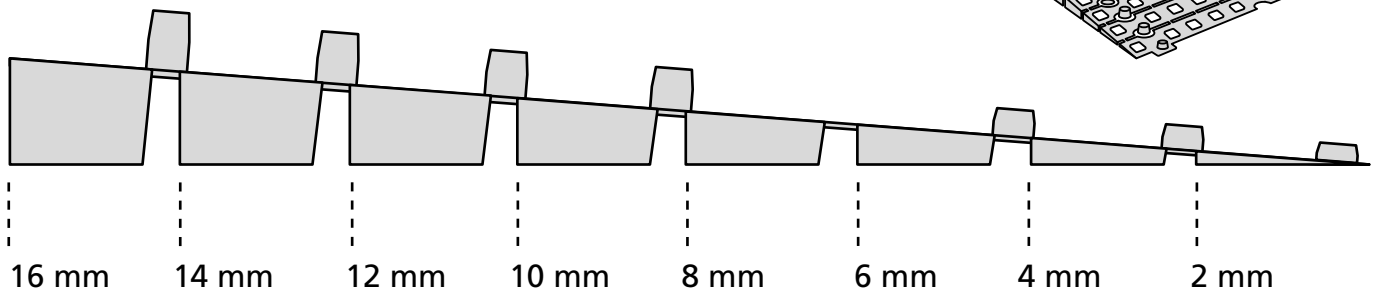
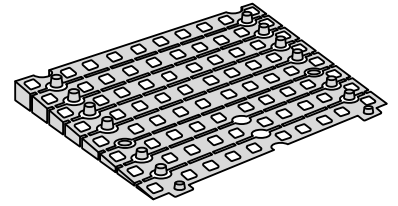
Surface	Use	Products available
SlipStop	Outdoor	KIT Platform Corner



Surface	Use	Products available
NO holes	Indoor only	KIT Platform

RAMP ADJUSTER

With the Ramp Adjuster it's possible to make fine adjustments of ramps. Adjustments with only 2 mm differences in height:



SPAREPART PACKAGES

KIT Sparepart 1



Bag of 1 Ramp Adjuster

KIT Sparepart 2

COMING SOON

Bag of 1 Ramp Adjuster Corner

KIT Sparepart 3



Bag of 10 R-Lock

KIT Sparepart 4



Bag of 10 T-Lock

KIT Sparepart 5



Bag of 10 S-Lock

KIT Sparepart 6



Bag of 10 C-Lock

KIT Sparepart 7



Bag of 1 Mounting Pad + Screw

KIT Sparepart 8



Bag of 10 Stoppers

KIT Sparepart 9



Bag of 3 Expansion Guide



www.ex-as.com



info@ex-as.com



Møllevej 2 - 8544 Mørke - DK



+45 86377133



SlipStop is used for outdoor ramps to give an extremely slip resistant surface.